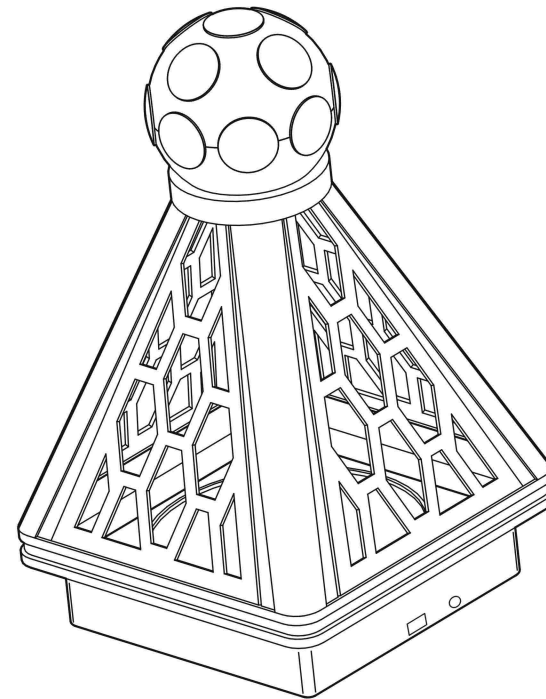


Memorex[®]

DISCO LIGHT

MODEL: MKA330

**BEFORE OPERATING THIS PRODUCT,
PLEASE READ THESE INSTRUCTIONS COMPLETELY.**



FOR ADDITIONAL SET-UP OR OPERATING ASSISTANCE, PLEASE VISIT OUR WEBSITE AT
WWW.MEMCORPINC.COM
OR CONTACT CUSTOMER SERVICE AT 1-800-919-3647

PLEASE KEEP ALL PACKAGING MATERIAL FOR AT LEAST 90 DAYS IN CASE YOU NEED TO
RETURN THIS PRODUCT TO YOUR PLACE OF PURCHASE OR MEMOREX.

FOR PARTS AND ACCESSORIES, CONTACT FOX INTL LAT 1-800-321-6993.

Memcorp, Inc.
Weston, FL

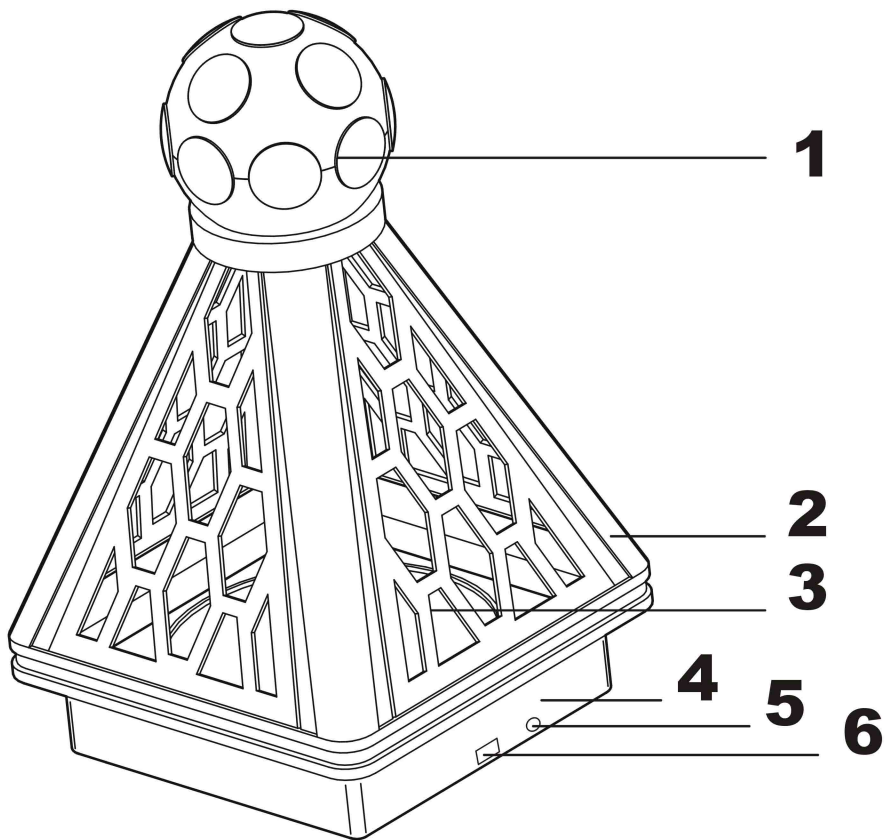
Visit Our Website At
WWW.MEMCORPINC.COM

Printed in Hong Kong

OPERATING INSTRUCTIONS

IMPORTANT SAFETY INSTRUCTIONS

1. Use the AC Power Adapter supplied. Use only the 12V/2000MA direct current, positive pole to center pin power adapter. Any other adapter may damage the set.
2. The ROTATING TOWER will get hot during use. Unplug and let cool for ten minutes prior to touch unit or replacing bulb.
3. For in door use only.
4. Before operating the unit, please install bulb light 1 (packed separately) to install follow direction in the next page. (bulb replacement)

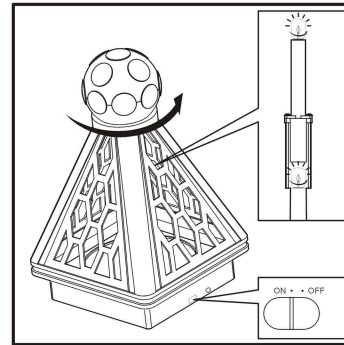


1. LIGHT1
2. ROTATION TOWER
3. LIGHT2
4. BASE
5. AC ADAPTER IN JACK
6. ON/OFF SWITCH

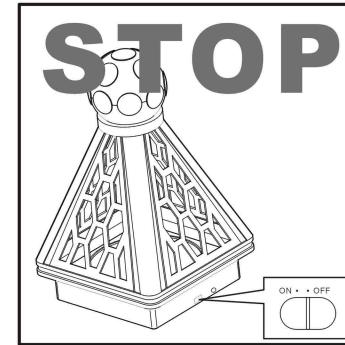
PLEASE READ ALL INSTRUCTIONS CAREFULLY BEFORE USE

OPERATION:

Switch to "ON" position, The Disco Light will ON and begin to rotate.

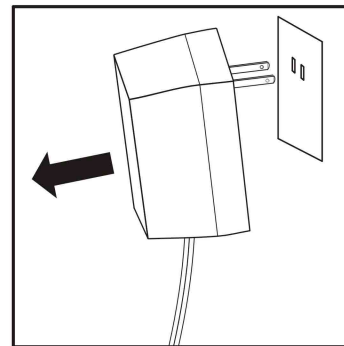


Switch to "OFF" position, The Disco Light will OFF and STOP rotate.

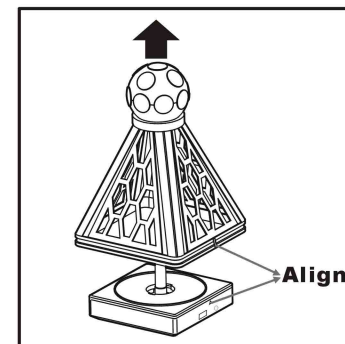


BULB REPLACEMENT

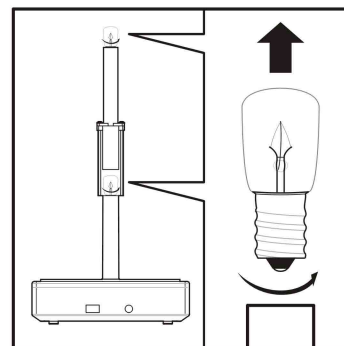
1. Unplug AC adapter from power source.



2. Align the markings on both the triangle Tower and the base unit pull the Triangle tower out.



3. Turn the bulb counter clockwise to loosen and remove the bulb from the lamp holder.



4. Replace with 10 watts or smaller, 12volts candelabra size screw type bulb.

